

# FILTER OVERVIEW WITH SERVICE INTERVALS AND CAPACITIES

3R Final Tier 4 (FT4) Series Compact Utility Tractors - 3033R, 3039R, 3046R

## ENGINE

**DIESEL PARTICULATE FILTER –**  
(3033R) [MIU803093](#)

(3039R, 3046R) [MIU803232](#)

See your John Deere™ dealer or qualified service provider.

## ENGINE

**PRIMARY FUEL FILTER –** [MIU802421](#)

**FINAL FUEL FILTER –** [MIU803127](#)

Replace every 400 hours or annually, whichever occurs first.

## ENGINE

**OIL FILTER –** [M806419](#)

Replace every 200 hours or annually, whichever occurs first.

(Click here for [capacity](#))

## CAB

**RECIRCULATION AIR FILTER (2) –**  
[MIU10011](#)

Replace as required.

**FILTER PAK –** [LVA21038](#)

M806419, LVA13065, MIU803127, RE68048, MIU802421 kit contains and offering a complete solution for your maintenance needs to keep your tractor running at peak performance.

## CAB

**FRESH FILTER –** [MIU10010](#)

Clean or replace every 50 hours and as required.

## HYDRAULIC

**TRANSMISSION OIL FILTER –** [LVA13065](#)

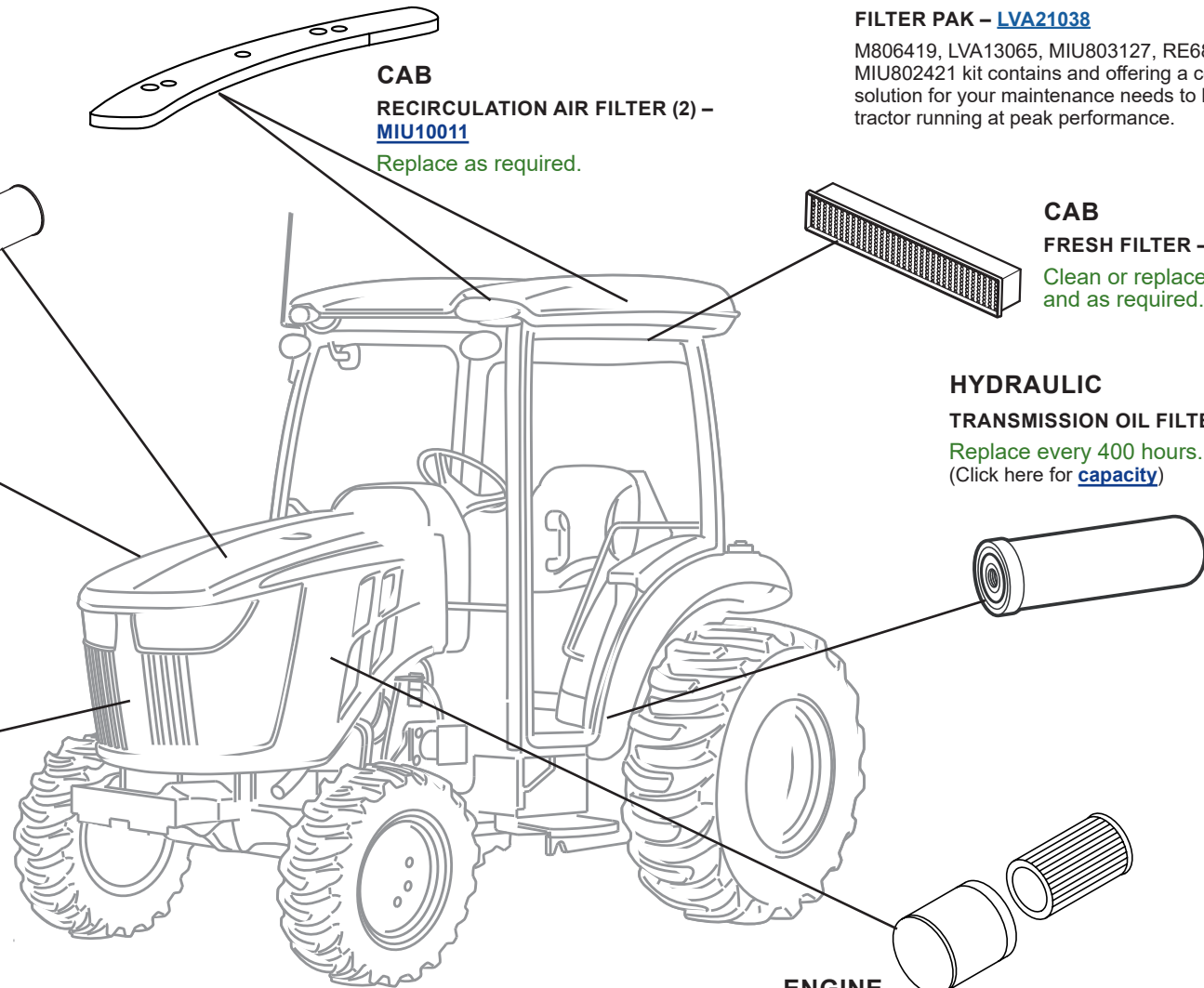
Replace every 400 hours.  
(Click here for [capacity](#))

## ENGINE

**PRIMARY AIR FILTER –** [RE68048](#)

**SECONDARY AIR FILTER –** [RE68049](#)

Replace as needed.



# CAPACITIES

## 3R Final Tier 4 (FT4) Series Compact Utility Tractors - 3033R, 3039R, 3046R

### CAPACITIES (Approximate):

#### Fuel Tank:

Open Operator Station ..... 51.1 L (13.5 gal)  
Cab ..... 44.5 L (11.8 gal)

#### Cooling System:

##### Cool-Gard™ II

Open Operator Station ..... 5.3 L (1.40 gal)  
Cab ..... 7 L (1.85 gal)

#### Crankcase with Filter:

##### Plus-50™ II

3033R, 3039R ..... 4.3 L (1.14 gal)  
3046R ..... 5.7 L (1.51 gal)

#### Transmission and Hydraulic System:

##### Hy-Gard™

..... 25.7 L (6.8 gal)

#### Front Axle:

##### Hy-Gard™

..... 4.8 L (1.27 gal)

[Return to Filter Overview](#)